

# **GENERATOR**

## **PARTS CATALOG**

**MODEL : TPG4-3400HCSA**

**With CO SENSOR**

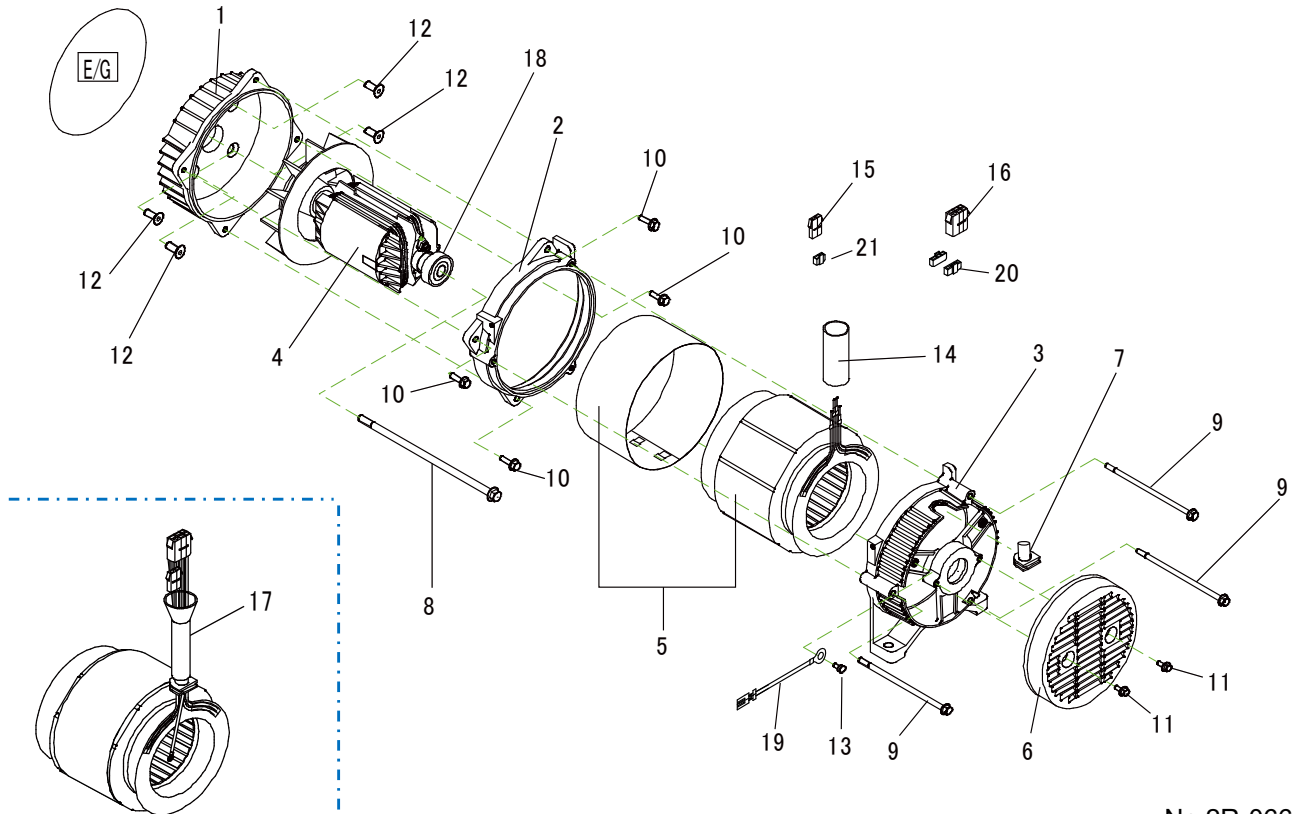
**2900VA 120V 60Hz**



**Ver.1**

2023.12

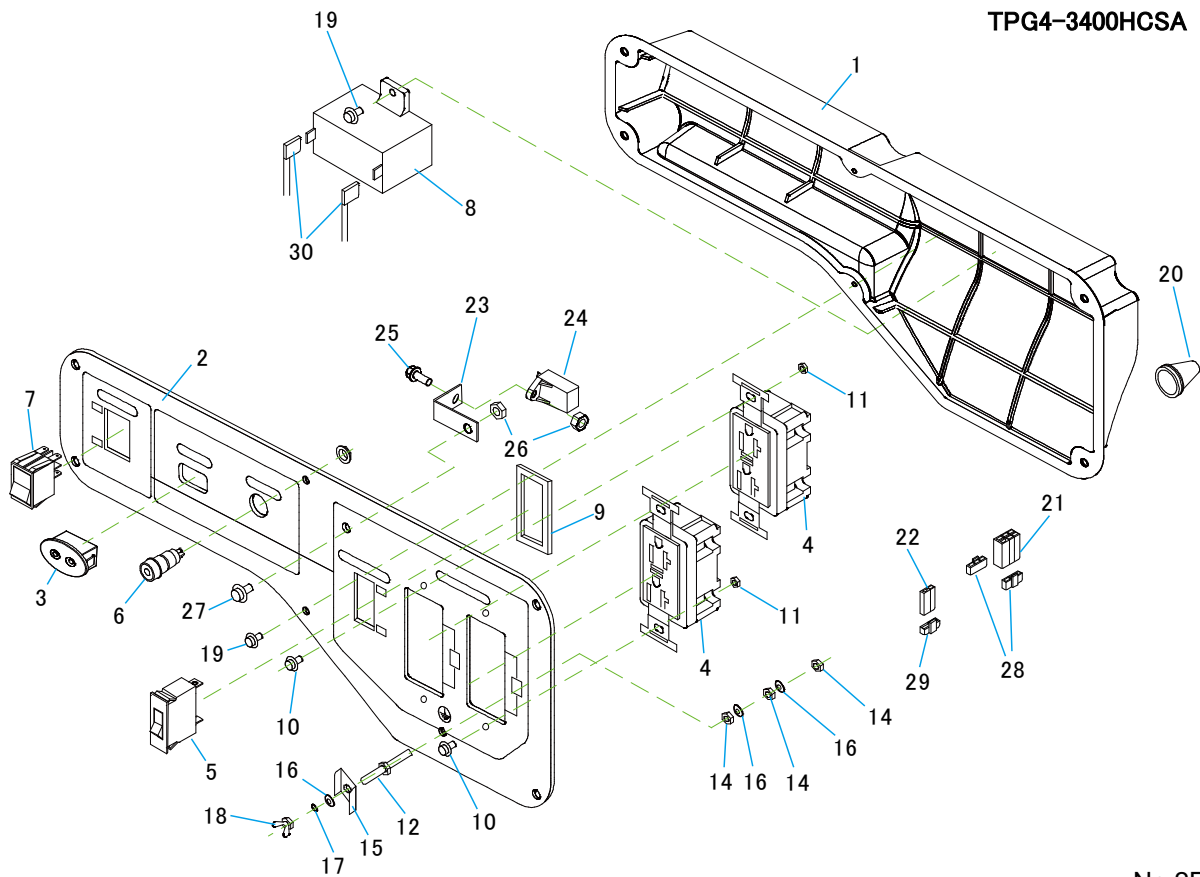
ALTERNATOR  
TPG4-3400HCSA



No.2R-06655

REF No.	Parts No.	Parts name	Q'ty	Price	Remarks
1	15111460000	BRACKET (1)	1		
2	15111462000	N-BRACKET	1		
3	15111461000	BRACKET (2)	1		
4	15200587000	ROTOR ASSY	1		
5	15250591000	STATOR ASSY	1		
6	15301252000	COVER,BRACKET	1		
7	15350549000	RUBBER BUSH	1		
8	15550599000	HEX, BOLT W/FLANGE (M8×248)	1		
9	15550598000	HEX, BOLT W/FLANGE (M6×175)	3		
10	19B30906020	HEX, BOLT W/FLANGE (M6×20)	4		
11	15550240000	HEX, BOLT W/FLANGE (M5×0.8-20)	2		
12	15550248000	HEX, BOLT W/ SOCKET,FLANGE (M8×20)	4		
13	19S00905007	CROSS-RECESSED HEAD SCREW (M5×7)	1		
14	15350104000	TUBE,LEAD WIRE	1		
15	15400160000	CONNECTOR 2P	1		
16	15400156000	CONNECTOR 6P	1		
17	15250591100	STATOR COMP.	1		
18	15200328000	BALL BEARING	1		6203ZZ-CM
19	15501741000	HARNESS GREEN	1		
20	15400162000	RETAINER 3P	2		
21	15400163000	RETAINER 2P	1		

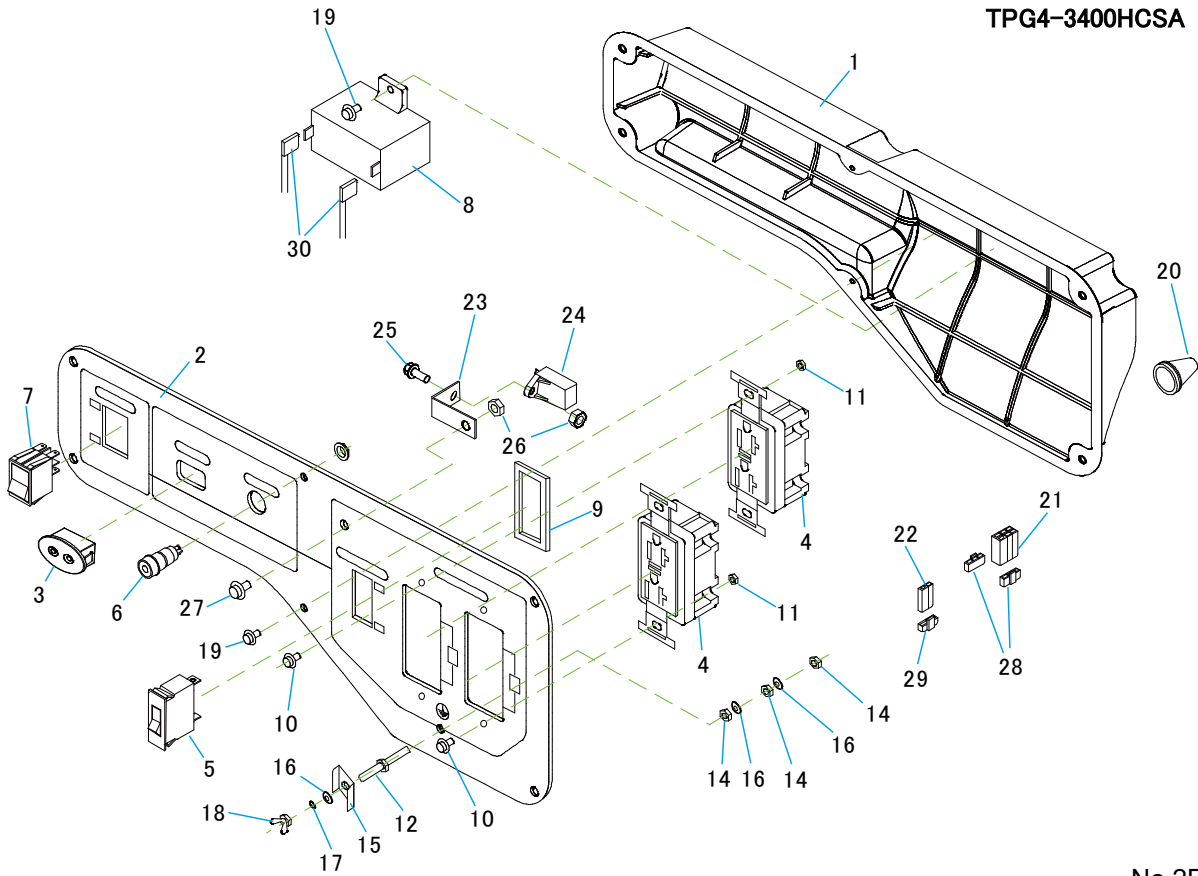
**CONTROL BOX  
TPG4-3400HCSA**



No.2R-06655

REF No.	Parts No.	Parts name	Q'ty	Price	Remarks
1	15350690011	CONTROL BOX	1		
2	15453426000	PANEL	1		
3	15400941000	CARBON MONOXIDE INDICATOR	1		
4	15400104000	RECEPTACLE 20A, 125V , GFCI	2		
5	15400910000	CURCUIT BREAKER 25A	1		
6	85111573300	NEON BRACKET , 125V	1		
7	15400253000	ENGINE SWITCH	1		
8	15400175000	CONDENSOR ASSY,14 $\mu$ F	1		
9	15301080001	SPACER	1		
10	19SF4904014	CROSS RECESSED HEAD SCREW (M4-14)	4		
11	19N10904000	HEX,NUT W/FLANGE M4	4		
12	15550168001	STUD BOLT	1		
13					
14	19N10905000	HEX,NUT W/FLANGE (M5)	3		
15	15301034000	CAP WASHER (M5)	1		
16	19W00905000	FLAT WASHER (M5)	3		
17	19W10905000	LOCK WASHER (M5)	1		
18	19N60905000	WING NUT (M5)	1		
19	15550589000	SCREW, SELF TAP M4-12	3		
20	15321880130	GROMMET PANEL LEAD #2	1		
21	15400157000	CONNECTOR 6P	1		
22	15400161000	CONNECTOR 2P	1		
23	15302635000	BRACKET, POWER MODULE	1		
24	15400940000	POWER MODULE FOR CO SENSOR	1		
25	15550264000	BOLT, M6-16	1		
26	19N10906000	HEX,NUT W/FLANGE M6	2		

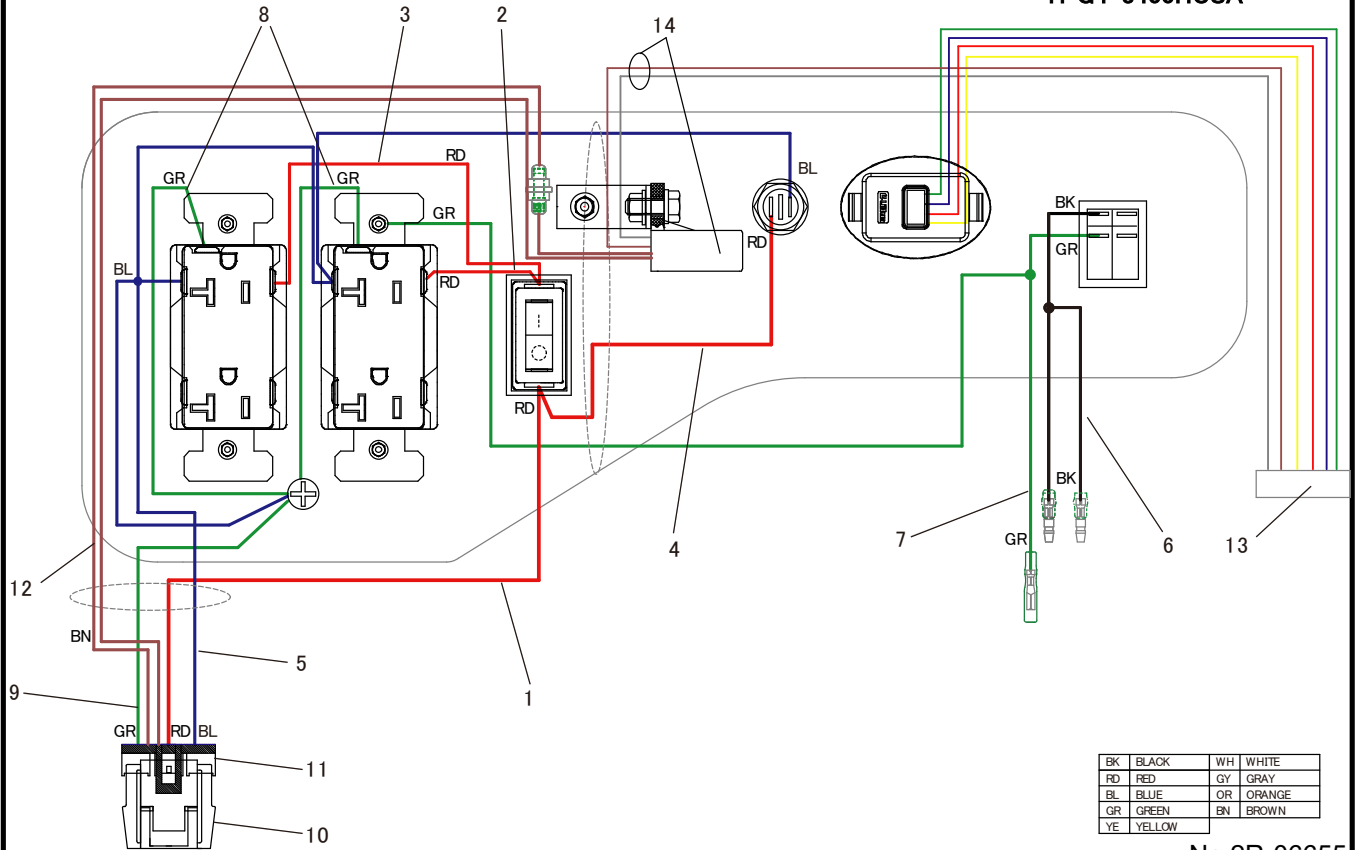
**CONTROL BOX  
TPG4-3400HCSA**



No.2R-06655

REF No.	Parts No.	Parts name	Q'ty	Price	Remarks
27	19SF4906015	CROSS RECESSED HEAD SCREW (M6-15)	1		
28	15400162000	RETAINER 3P	2		
29	15400163000	RETAINER 2P	1		
30	15501739000	HARNESS YELLOW	2		

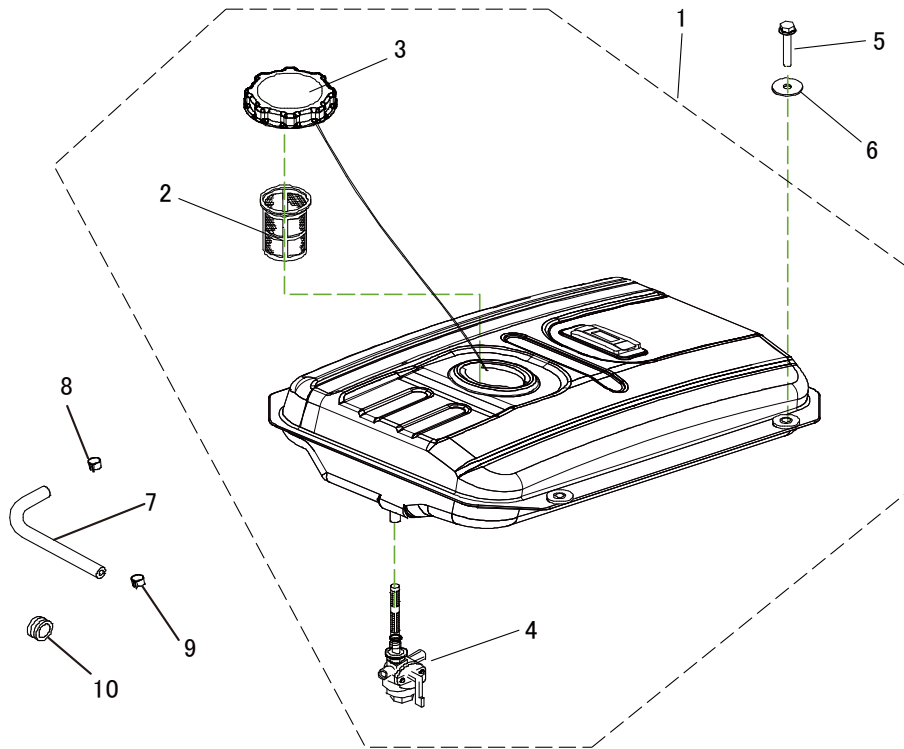
**CONTROL BOX  
TPG4-3400HCSA**



No.2R-06655

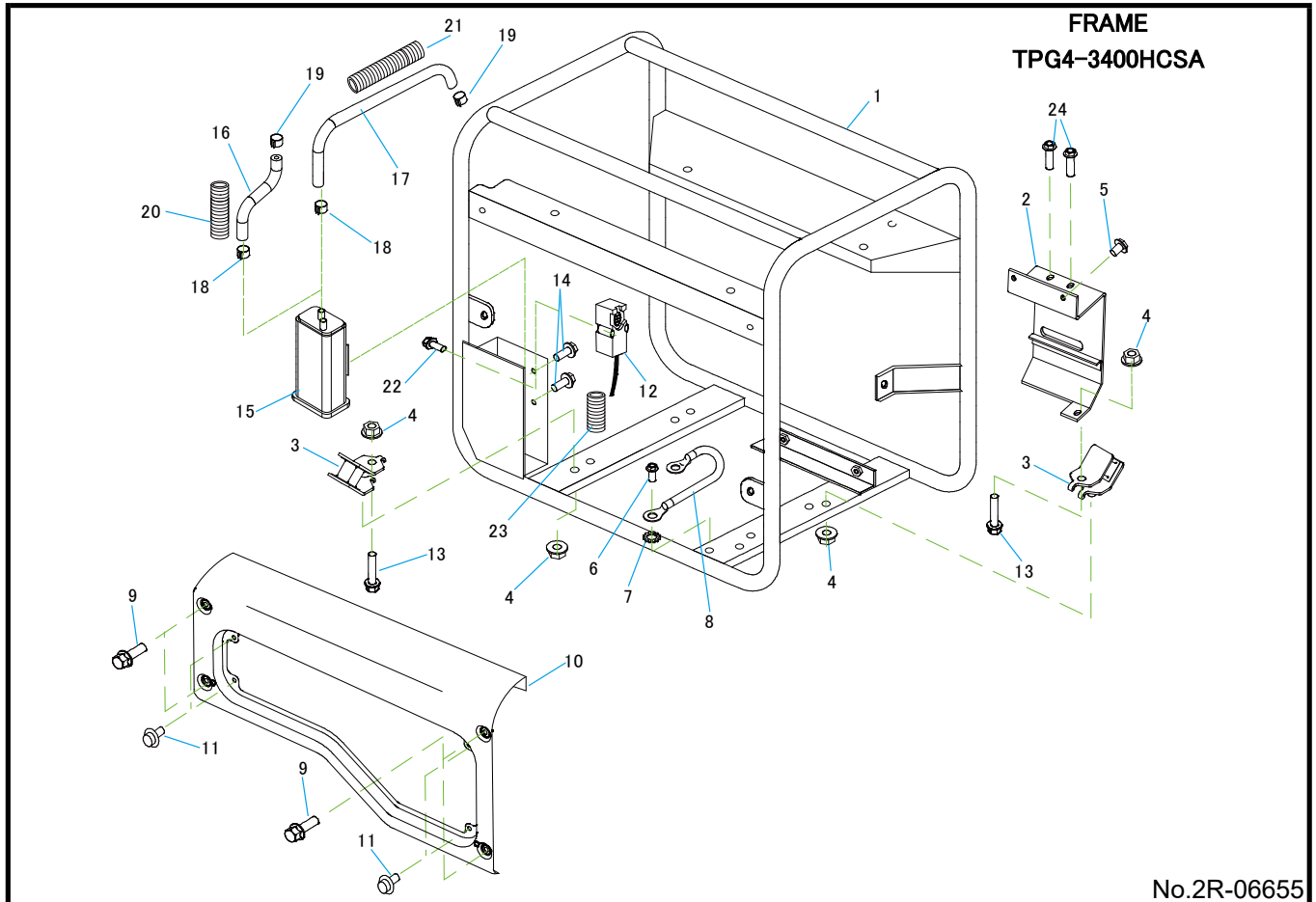
REF No.	Parts No.	Parts name	Q'ty	Price	Remarks
1	15501763000	HARNESS RED	1		
2	15501757000	HARNESS RED	1		
3	15503287000	HARNESS RED	1		
4	15501758000	HARNESS RED	1		
5	15503288000	HARNESS BLUE	1		
6	15503240000	HARNESS BLACK	1		
7	15503239000	HARNESS GREEN	1		
8	15501756000	HARNESS GREEN	2		
9	15501755000	HARNESS GREEN	1		
10	15400157000	CONNECTOR 6P	1		
11	15400162000	RETAINER	2		
12	15503236000	HARNESS BROWN	1		
13	15503237000	HARNESS CO SENSOR	1		
14	15602506000	POWER MODULE FOR CO SENSOR ASSY	1		

FUEL TANK  
TPG4-3400HCSA



No.2R-06655

REF No.	Parts No.	Parts name	Q'ty	Price	Remarks
1	15601799200	FUEL TANK (BLUE) COMP.	1		WITH LABEL ※EXCEPT SPEC LABEL
2	15350579000	FILTER COMP., FUEL	1		
3	15950267000	CAP COMP., FUEL FILLER WITH CHAIN	1		
4	15150135010	FUEL VALVE	1		
5	19B30906025	HEX,BOLT W/FLANGE (M6×1.0-25)	4		
6	19W00906025	WASHER,TANK CUSHION (M6×25,1.6t)	4		
7		TUBE,FUEL	1		HONDA PART
8		CRIP B8, TUBE	1		HONDA PART
9	15301192000	CRIP,TUBE	1		
10		RUBBER,FUEL TUBE	1		HONDA PART



No.2R-06655

REF No.	Parts No.	Parts name	Q'ty	Price	Remarks
1	15302612000	FRAME	1		
2	15302618000	BRACKET,MUFFLER	1		
3	15350363000	ANTI-VIBRATION RUBBER	4		
4	203200100	HEX,NUT W/FLANGE(M8-1.25)	8		
5	15550584000	HEX,BOLT W/FLANGE (M5-0.6-12)	2		
6	15550251000	HEX, BOLT W/FLANGE (M6-12)	1		
7	19W50906000	TOOTH LOCK WASHER(M6)	1		
8	15500955000	BONDING WIRE	1		
9	15550264000	BOLT, M6-16	4		
10	15601797000	CASE, CONTROL ASSY (BLUE)	1		WITH RUBBER
11	15550438000	CROSS RECESSED HEAD SCREW(M6-15)	4		
12	15400939000	CO SENSOR	1		
13	15550250000	HEX, BOLT W/FLANGE (M8-35)	4		
14	15550446000	BOLT, M6-14	2		
15	15950137002	CARBON CANISTER (Q-18-14)	1		
16	15350677002	TUBE , SURGE	1		
17	15350679002	TUBE , PURGE	1		
18	15302062000	CRIP , φ13.1	2		
19	15302060000	CRIP , φ10.0	2		
20	15350701000	TUBE , CORRUGATE (270mm)	1		
21	15350700000	TUBE , CORRUGATE (550mm)	1		
22	15550613000	SCREW(M5-20)	2		
23	15350882000	TUBE (120mm)	1		
24	15550583000	HEX, BOLT W/FLANGE (M6-16)	2		